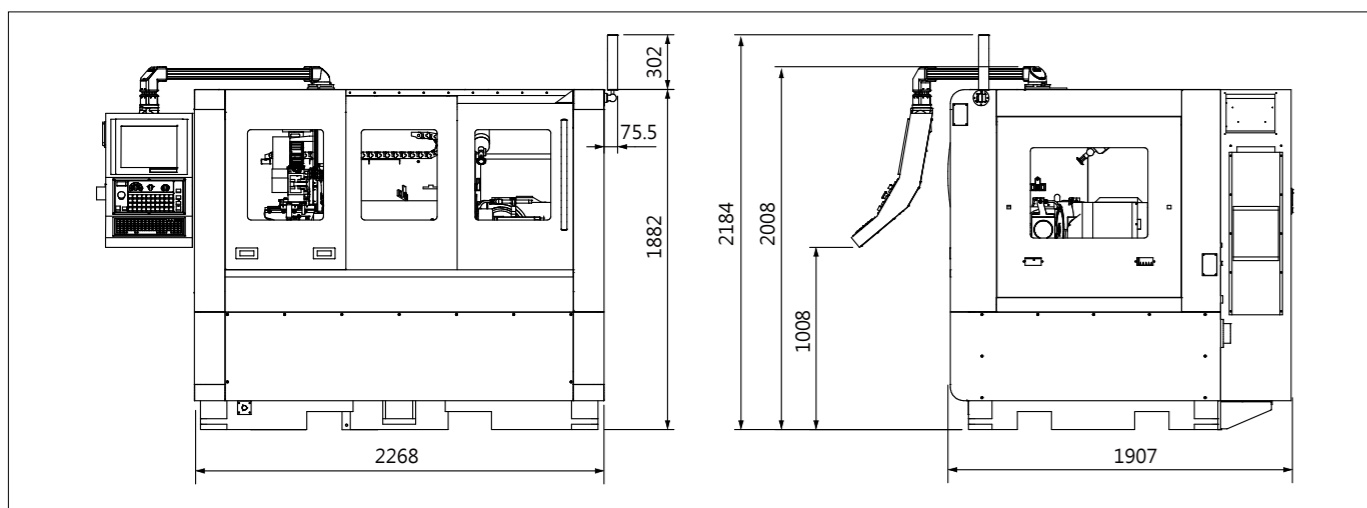


TP Series TP-4F Machine Specifications

Mechanical Axes	X Axis stroke	30 mm
	Resolution	0.0001 mm
	U Axis stroke	30 mm
	Resolution	0.0001 mm
	Z Axis stroke	370 mm
	Resolution	0.0001 mm
	W Axis stroke	100 mm
	Resolution	0.0001 mm
	Accuracy (A)	≤ 0.004 mm
	Repeatability (R)	≤ 0.002 mm
Axes Motor	X Axis	0.75 kw
	U Axis	0.75 kw
	Z Axis	1.20 kw
	W Axis	1.20 kw
Grinding range	Shank	Ø 3 - Ø 16 mm
	Diameter	Ø 0.1 - Ø 16 mm
	Grinding length	Max. 330 mm
Manual loading	Shank	Ø 3 - Ø 16 mm
	Overall length	35 - 350 mm
Load & unload	Shank	Ø 3 - Ø 16 mm
	Overall length	35 - 110 mm
Grinding spindle	Roughing rotational speed	Max. 4500 r.p.m.
	Roughing Motor	4.0 kw
	Roughing Wheel	Ø250mm
	Finishing rotational speed	Max. 10000 r.p.m.
	Finishing Built-in Spindle Motor	4.2 kw
Working spindle	Finishing Wheel	Ø150mm
	Tool rotational speed	Max. 3000 r.p.m
	Motor	2.5 kw
Cooling	Resolution	0.001 deg
	Motor	1.49 kw
Controller	Type	FANUC
Machine	L x W x H	2268 mm x 1907 mm x 2184 mm
	Weight	4700 kg
	Total power	Max. 30 KVA
	Air pressure	Min. 5 Kg/cm ²
	Rated flow	Min. 150 l/min

Dimension



TP Series

CNC Cylindrical Grinding Machine



TOPWORK Industry Co., Ltd.

No.9, 6th Road, Taichung Industrial District,
Taichung 40755, Taiwan
TEL:+886-4-23581558 FAX:+886-4-23581268
E-mail:topwork@ms12.hinet.net



www.topwork.com.tw

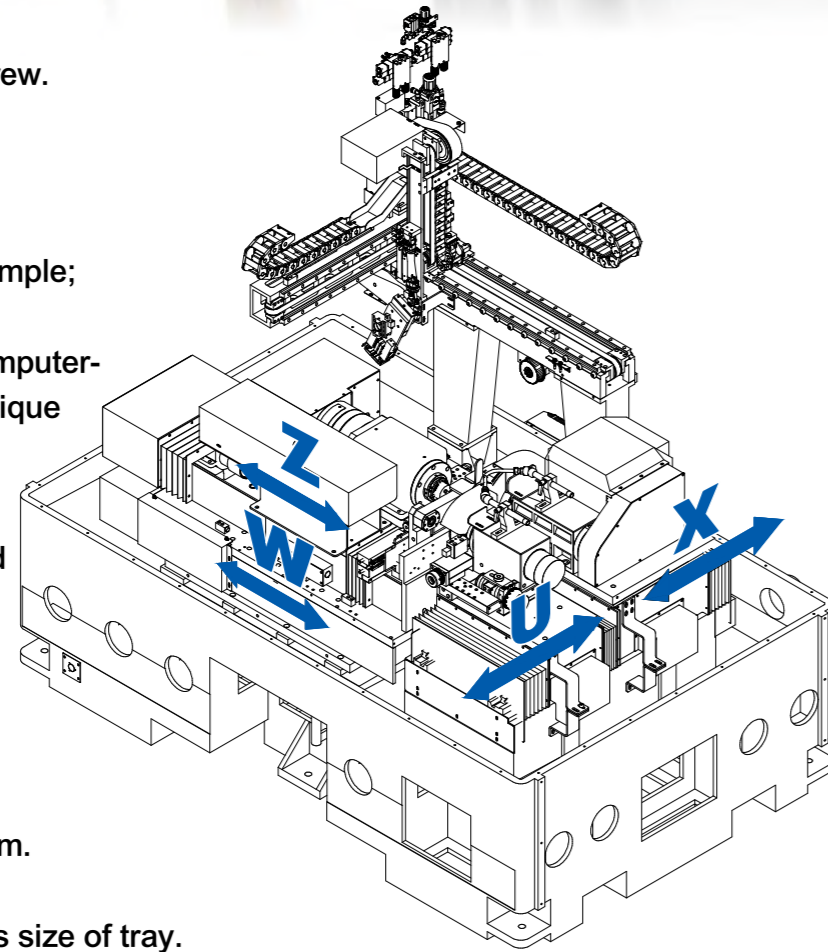
201606TP

High Precision :
 High-rigid-structured base design.
 High-accuracy linear guideway and ballscrew.
 Full servo controller.

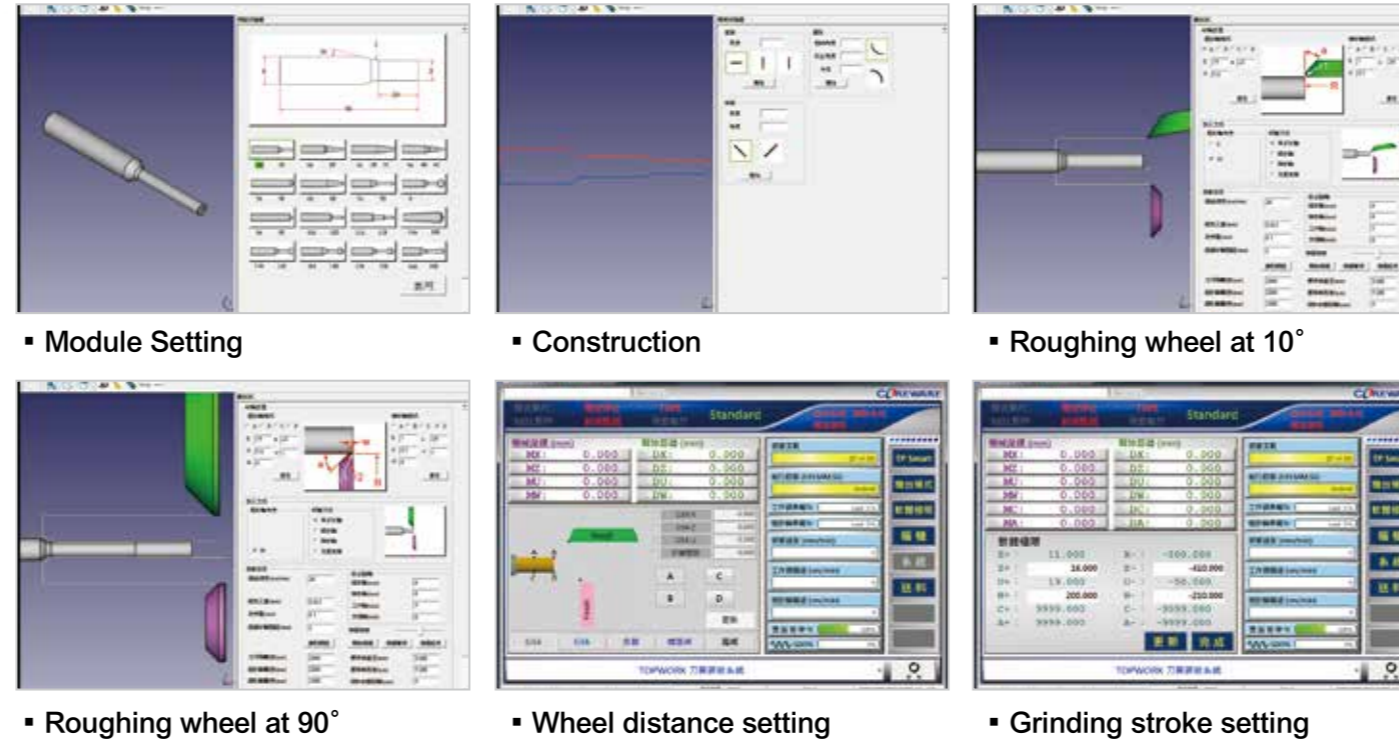
Simplified-editable programming :
 User-friendly operational panel.
 Built-in frequent-used workpiece model sample;
 easy to modify parameter.
 Fast and easy programming on built-in computer-guided self-defined program for special unique workpiece.

Flexibility :
 Unique design for fast yet stable setup and material replace support system.
 Guarantee on workpiece runout precision.
 Instant size-change and movement calibrate.

Auto loading / unloading system :
 Servo controlled loading / unloading system.
 Easy and precise to lock-in tray positon.
 Built-in data sets of coordinates for various size of tray.



Software



Application

