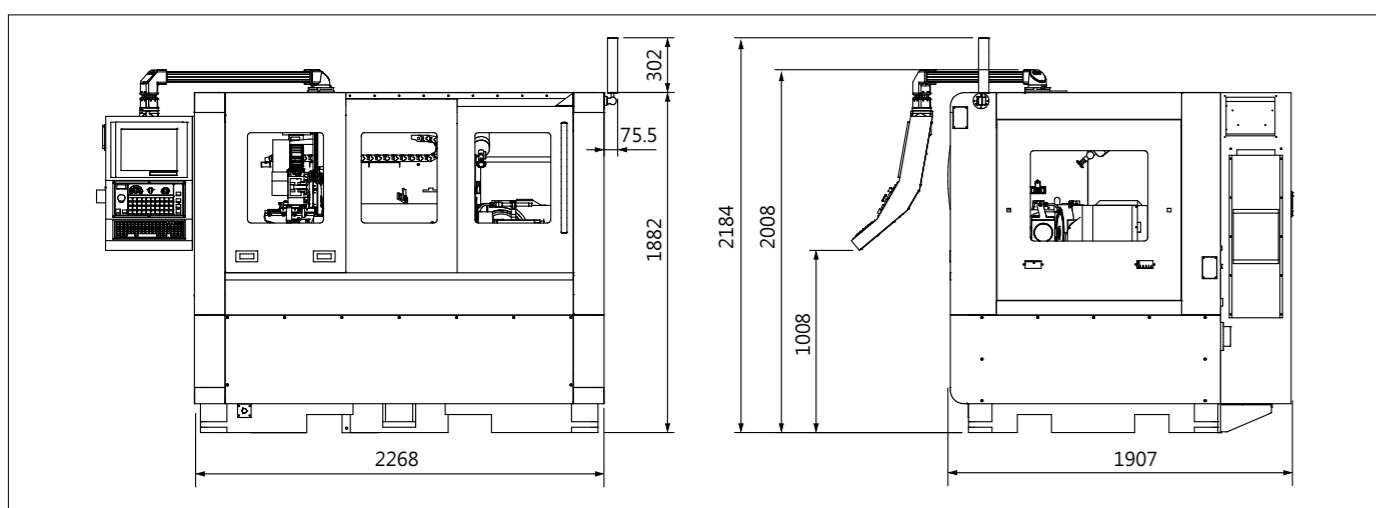


## TP Series TP-4F Machine Specifications

Mechanical Axes	X Axis stroke	30 mm
	Resolution	0.0001 mm
	U Axis stroke	30 mm
	Resolution	0.0001 mm
	Z Axis stroke	370 mm
	Resolution	0.0001 mm
	W Axis stroke	100 mm
	Resolution	0.0001 mm
	Accuracy (A)	≤ 0.004 mm
	Repeatability (R)	≤ 0.002 mm
Axes Motor	X Axis	0.75 kw
	U Axis	0.75 kw
	Z Axis	1.20 kw
	W Axis	1.20 kw
Grinding range	Shank	∅ 3 - ∅ 16 mm
	Diameter	∅ 0.1 - ∅ 16 mm
	Grinding length	Max. 330 mm
Manual loading	Shank	∅ 3 - ∅ 16 mm
	Overall length	35 - 350 mm
Load & unload	Shank	∅ 3 - ∅ 16 mm
	Overall length	35 - 110 mm
Grinding spindle	Roughing rotational speed	Max. 4500 r.p.m.
	Roughing Motor	4.0 kw
	Roughing Wheel	∅250mm
	Finishing rotational speed	Max. 10000 r.p.m.
	Finishing Built-in Spindle Motor	4.2 kw
Working spindle	Finishing Wheel	∅150mm
	Tool rotational speed	Max. 3000 r.p.m
	Motor	2.5 kw
Cooling	Resolution	0.001 deg
	Motor	1.49 kw
Controller	Type	FANUC
Machine	L x W x H	2268 mm x 1907 mm x 2184 mm
	Weight	4700 kg
	Total power	Max. 30 KVA
	Air pressure	Min. 5 Kg/cm <sup>2</sup>
	Rated flow	Min. 150 l/min

## Dimension



# TP Series

## CNC Cylindrical Grinding Machine



**TOPWORK Industry Co., Ltd.**

No.9, 6<sup>th</sup> Road, Taichung Industrial District,  
Taichung 40755, Taiwan  
TEL:+886-4-23581558 FAX:+886-4-23581268  
E-mail:topwork@ms12.hinet.net



www.topwork.com.tw

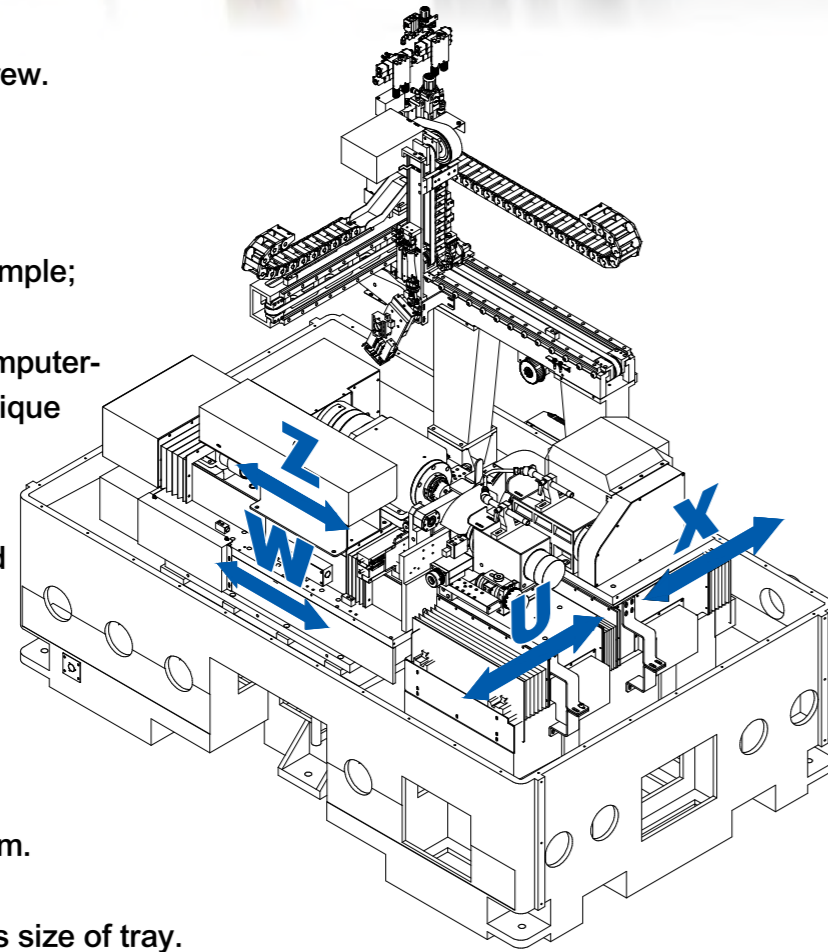
201606TP

**High Precision :**  
 High-rigid-structured base design.  
 High-accuracy linear guideway and ballscrew.  
 Full servo controller.

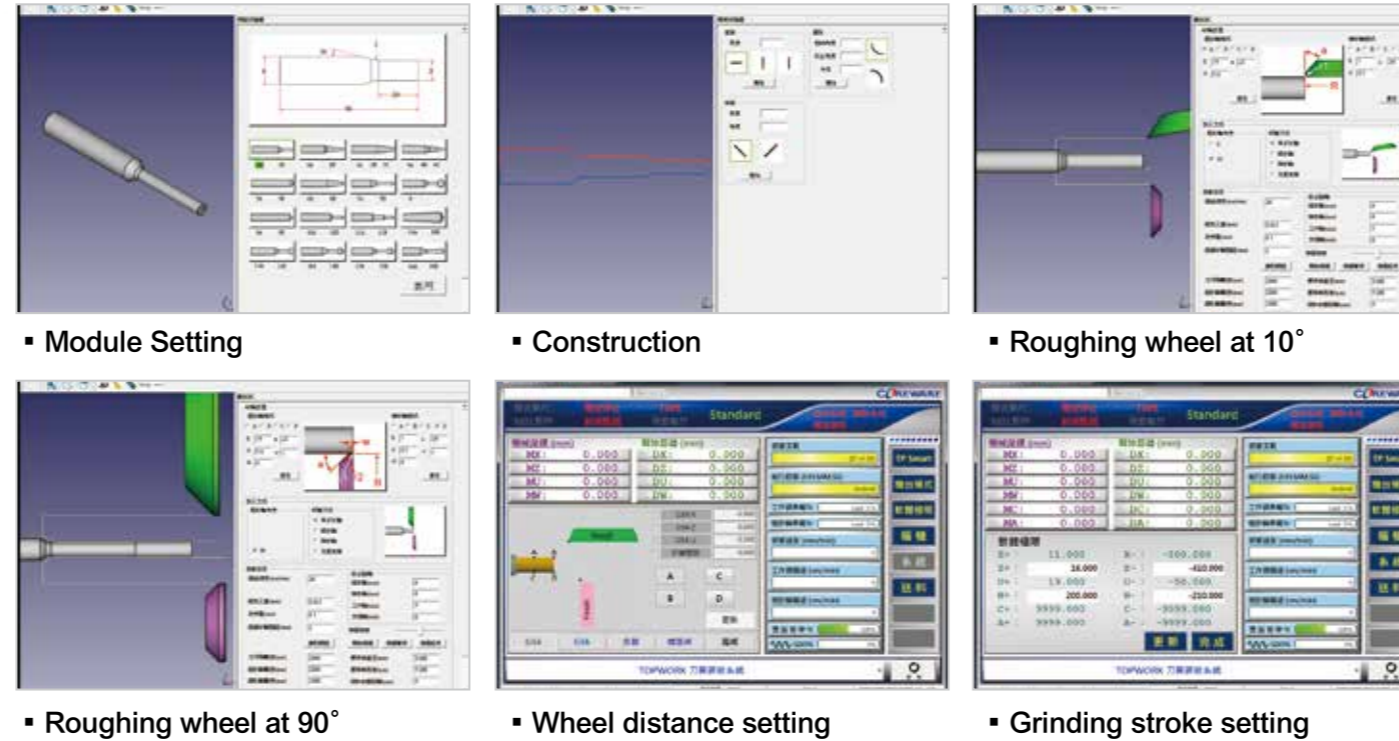
**Simplified-editable programming :**  
 User-friendly operational panel.  
 Built-in frequent-used workpiece model sample;  
 easy to modify parameter.  
 Fast and easy programming on built-in computer-guided self-defined program for special unique workpiece.

**Flexibility :**  
 Unique design for fast yet stable setup and material replace support system.  
 Guarantee on workpiece runout precision.  
 Instant size-change and movement calibrate.

**Auto loading / unloading system :**  
 Servo controlled loading / unloading system.  
 Easy and precise to lock-in tray positon.  
 Built-in data sets of coordinates for various size of tray.



## Software



## Application

